

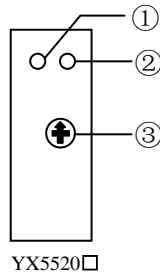


# Star-Delta Time Relay

Contact Configuration  
Universal Power Supply  
2LED Status Indicators  
DPDT

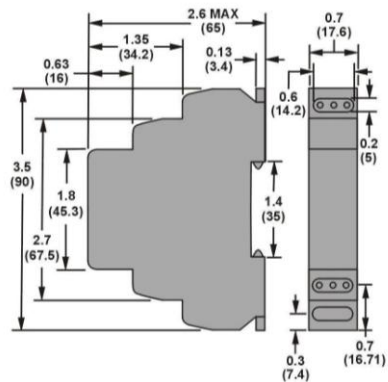
Rate Current 5A\*2  
Only 17.5 mm Wide  
DIN Rail Mountable  
CE RoHS Compliant

## MODEL & EXPLANATION

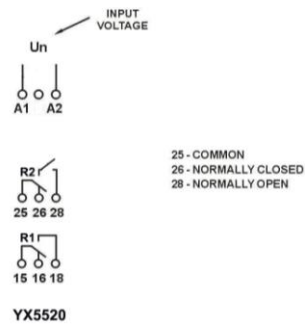


- ① Power Indicator
- ② Work Indicator
- ③ Time Adjustment Knob

## DIMENSIONS INCHES(MILLIMETERS)



## WIRING DIAGRAMS



# Star-Delta Time Relay

Contact Configuration  
Universal Power Supply  
2LED Status Indicators  
DPDT

Rate Current 5A\*2  
Only 17.5 mm Wide  
DIN Rail Mountable  
CE RoHS Compliant

Type	Spec	Time Range	Timing Chart
5520□	One Time-Delay, One Inst. One Delay Output	30S, 60S...	
<b>CHANGE TIME: 0.1S/0.2S/0.5S</b>			
□: <b>Operating voltage:</b> 220: AC220V    D24: DC24V    A24: AC24V    H00: AC/DC24-240V <b>More...</b>			

